

G3 Interface Unit Type 410 (H234)
Color NIC FAX Unit Type 410 NA (H231)
NIC FAX Unit Type 410 EU/ASIA (H231)
Color Unit Type 410 EU/ASIA (H232)

**G3 Interface Unit Type 410 (H234)
Color NIC FAX Unit Type 410 NA (H231)
NIC FAX Unit Type 410 EU/ASIA (H231)
Color Unit Type 410 EU/ASIA (H232)**

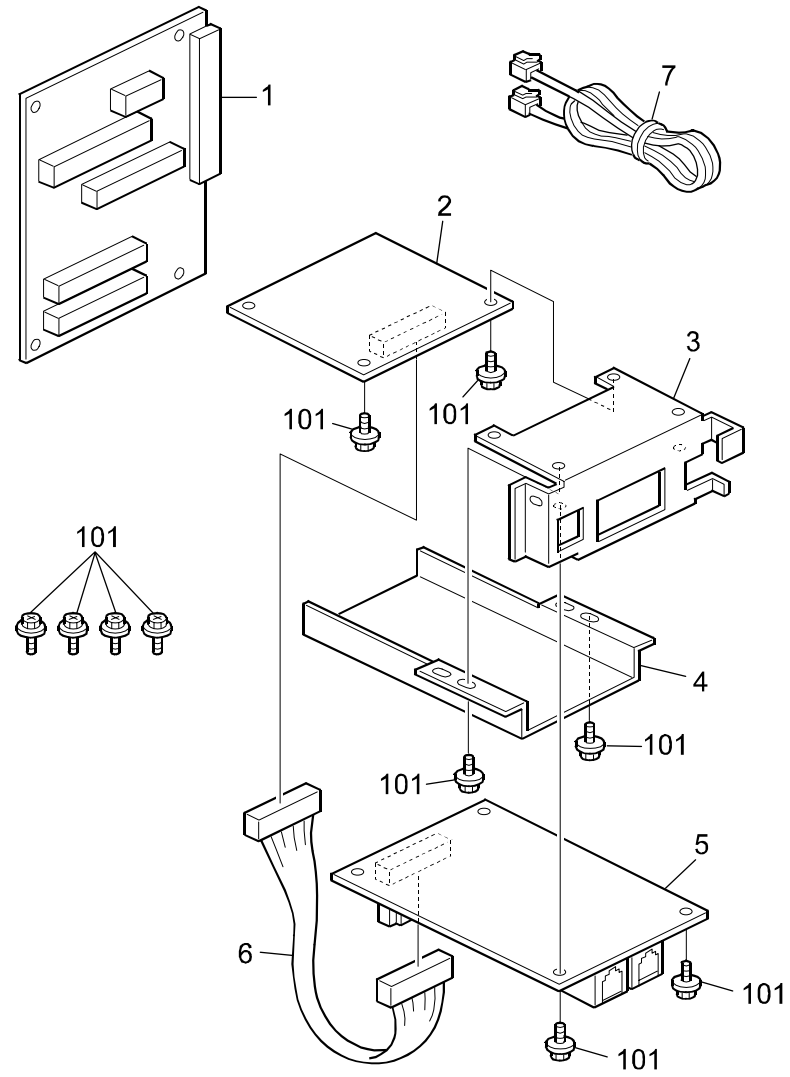
PARTS CATALOG

This catalog gives the numbers and names of parts on this machine.

1.G3 INTERFACE UNIT TYPE 410 (H243)	2
2.COLOR NIC FAX UNIT TYPE 410 (H231)	4
PARTS INDEX	7

December ,20 ' 2002

1.G3 INTERFACE UNIT TYPE 410 (H243)



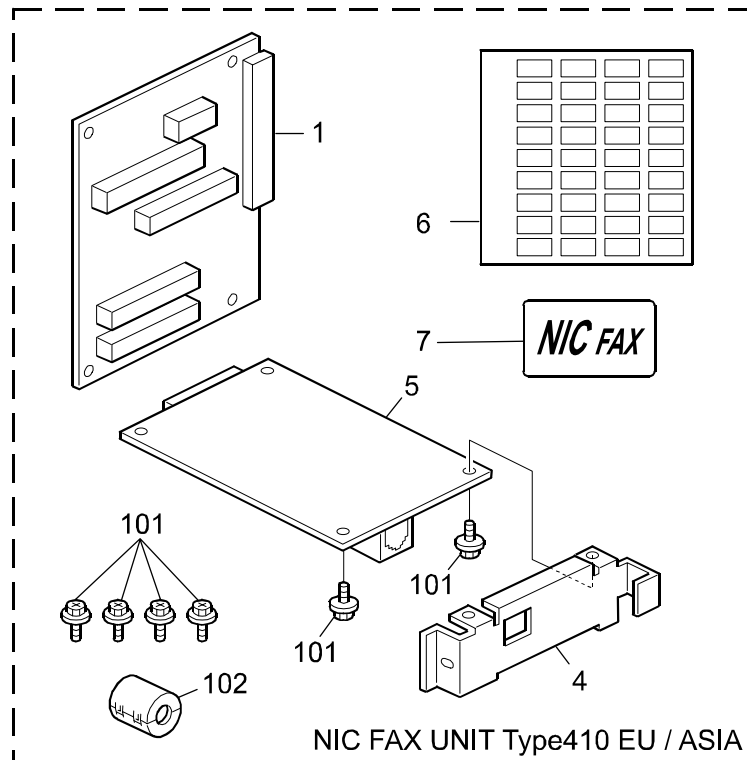
1.G3 INTERFACE UNIT TYPE 410 (H243)

Index No.	Part No.	Description	Q'ty Per Assembly
1	H556 6011	OPIF Board	1
2	H310 6185	SG3-D Board	1
3	H556 5871	SG3 Bracket	1
4	H234 5875	Insulation Sheet	1
5	5488 6223	NCU Board (NA)	1
5	5488 6283	NCU Board (EU/ASIA)	1
6	H556 5102	NCU-SG3 Harness	1
7	H523 5350	Telephone Cable	1

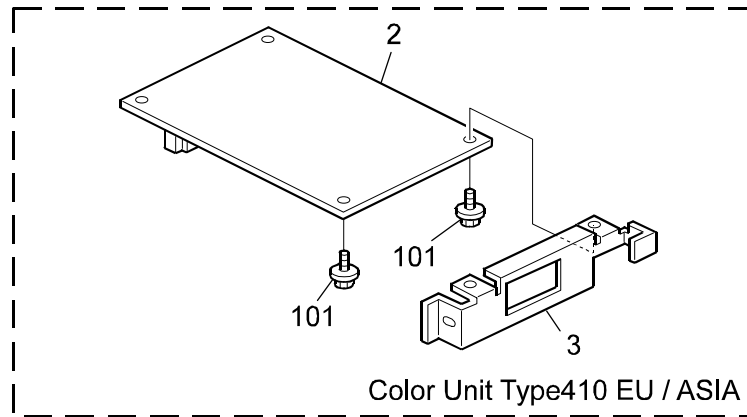
Index No.	Part No.	Description	Q'ty Per Assembly
101	0451 3006B	Tapping Screw - M3x6	

2.COLOR NIC FAX UNIT TYPE 410 (H231)

COLOR NIC FAX UNIT Type410 NA



NIC FAX UNIT Type410 EU / ASIA



2.COLOR NIC FAX UNIT TYPE 410 (H231)

Index No.	Part No.	Description	Q'ty Per Assembly
1	H556 6011	OPIF Board	1
2	H556 6160	JPEG Board	1
3	H556 5861	JPEG Bracket	1
4	H556 5864	NICF Bracket	1
5	H556 6180	NICF Board	1
6	H231 4102	Decal User Function Key	1
7	H311 4110	NIC Fax Decal	1

Index No.	Part No.	Description	Q'ty Per Assembly
101	0451 3006B	Tapping Screw - M3x6	
102	1607 0576	Sleeve Core - Sfc-8	

Parts Index

Parts Index

Part No.	Description	Page and Index No.
H231 4102	Decal User Function Key	5 - 6

Part No.	Description	Page and Index No.
H234 5875	Insulation Sheet	3 - 4
H310 6185	SG3-D Board	3 - 2
H311 4110	NIC Fax Decal	5 - 7
H523 5350	Telephone Cable	3 - 7
H556 5102	NCU-SG3 Harness	3 - 6
H556 5861	JPEG Bracket	5 - 3
H556 5864	NICF Bracket	5 - 4
H556 5871	SG3 Bracket	3 - 3
H556 6011	OPIF Board	5 - 1
H556 6011	OPIF Board	3 - 1
H556 6160	JPEG Board	5 - 2
H556 6180	NICF Board	5 - 5

Part No.	Description	Page and Index No.
0451 3006B	Tapping Screw - M3x6	3 -101
0451 3006B	Tapping Screw - M3x6	5 -101
1607 0576	Sleeve Core - Sfc-8	5 -102

Part No.	Description	Page and Index No.
5488 6223	NCU Board (NA)	3 - 5
5488 6283	NCU Board (EU/ASIA)	3 - 5